



Fitting Instructions

TOWBAR HY48
For Hyundai H1 (Van and Mini Bus)
2008-

MATERIALS

A	1	Cross Bar with European facing to 94/20/EC Class A50-1
B	1	10mm Coupling Packer
C	1	Right Side-Arm
D	1	Left Side-Arm
E	1	Right Bracket
F	1	Left Bracket
G	4	Bush (25 O.D x 50 Long)
H	2	Cleat
K	12	M12 x 35 x 1.75 Bolts, Nuts, Lock Washers and Flat Washers (30 O.D)
L	4	M12 x 120 x 1.75 Bolts, Nuts, Lock Washers and 8 off Flat Washers (30 O.D)
M	4	M12 x 35 x 1.25 Bolts, Lock Washers and Flat Washers (30 O.D)
N	4	M10 x 80 x 1.25 Bolts, Lock Washers and Flat Washers (30 O.D)
CB	2	M16 x 60mm Coupling Bolts, Nuts, Lock Washers
Z	1	ZEP35 Electrical Plate (not shown)

FITTING

FOR VEHICLES WITH CAPTIVE FIXINGS (M) & (L) MISSING HY48-S IS REQUIRED.

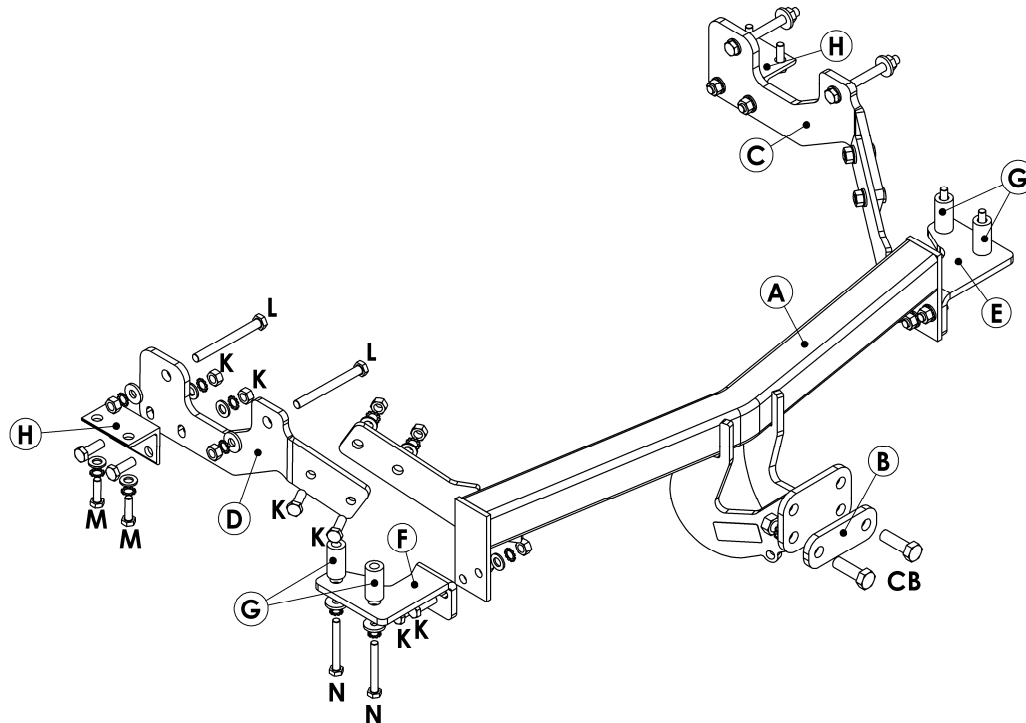
1. Remove spare wheel. Remove existing M10 fixings securing bumper beam to vehicle and replace with fixings (N) loosely attaching brackets (E) and (F) with bushes (G) in position shown.
2. Loosely attach side-arms (C) and (D) to pre-bushed mountings in chassis rails using fixings (L).
3. Attach Cleats (H) to underside of chassis using fixings (M) and to side-arms (C) and (D) using fixings (K).
4. Attach Crossbar (A) to cleats (E) and (F) and side-arms (C) and (D) using remaining fixings (K).
5. Fully Tighten all fixings and re-attach spare wheel.

Note: This towbar must be used with either a Witter Towball (part number Z11) or Class A50-1 or A50-X towball dimensionally conforming to A50-1 with a 'D' and 'S' value greater than or equal to that of the towbar.

Please refer to the vehicle specification for the trailer weight and nose limits, which **must be observed**.

Recommended torque settings: M8 - 27Nm, M10 - 53 Nm, M12 - 95 Nm, M14 - 150 Nm, M16 - 214 Nm

Grade 10.9: M12 - 139Nm, M10 - 78Nm



W0001HY48-FIT\$010804170000