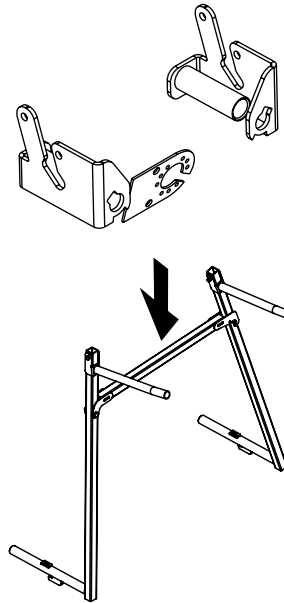


Citroen C1
 Peugeot 107
 Toyota Aygo



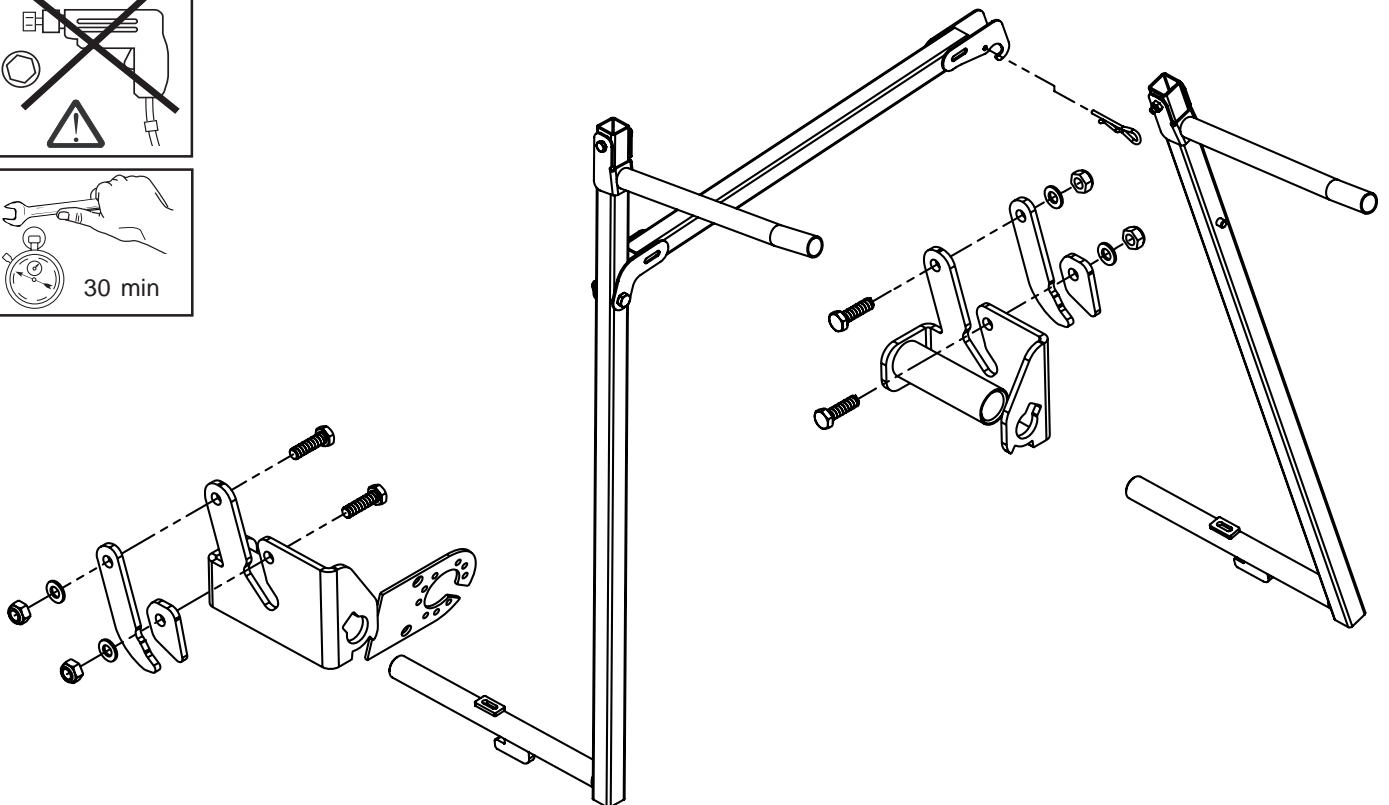
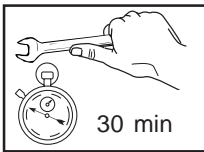
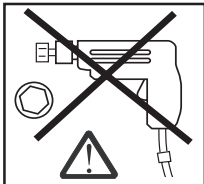
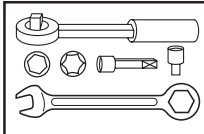
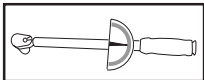
2006 -



8 kg

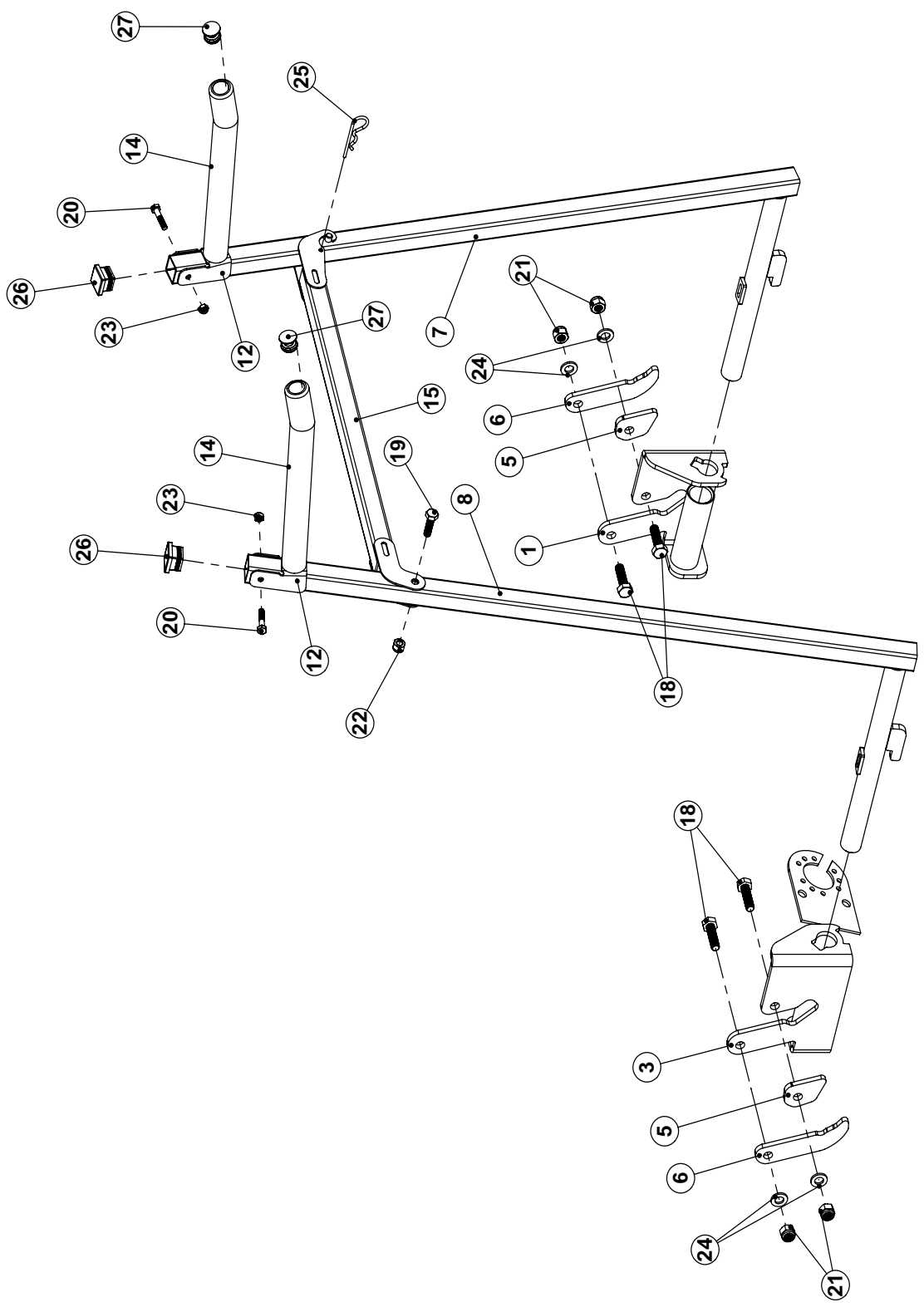


40 kg



Screw/Nm	M6	M8	M10	M12	M14	M16
Class 8.8	9,9	24	48	83	132	200

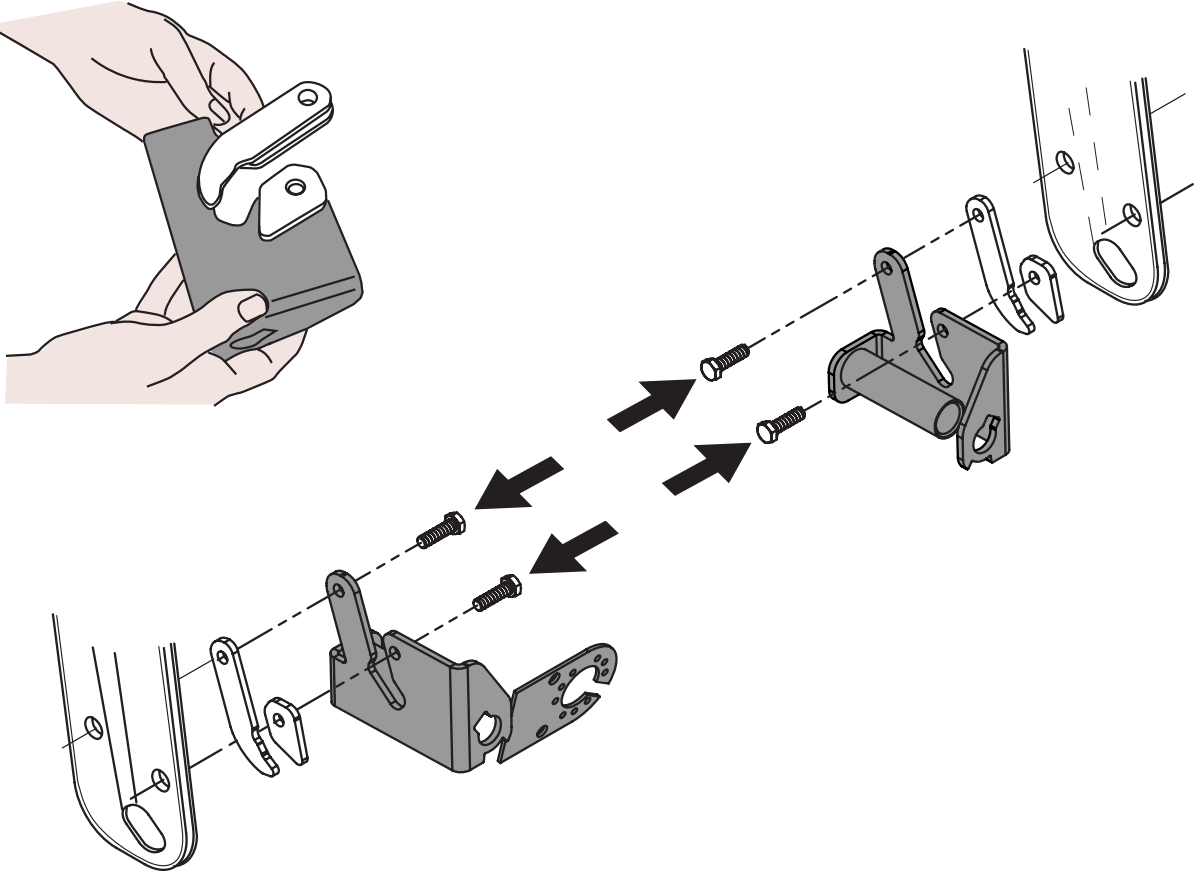
**01.1564.2 Citroen C1 Only bicycle carrier fixation 2006-
Peugeot 107 Only bicycle carrier fixation 2006-
Toyota Aygo Only bicycle carrier fixation 2006-**



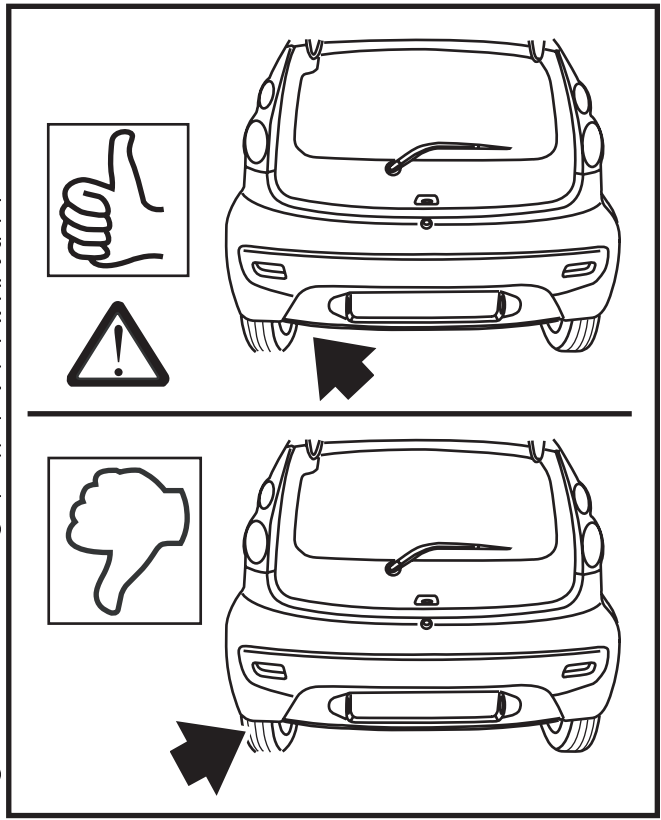
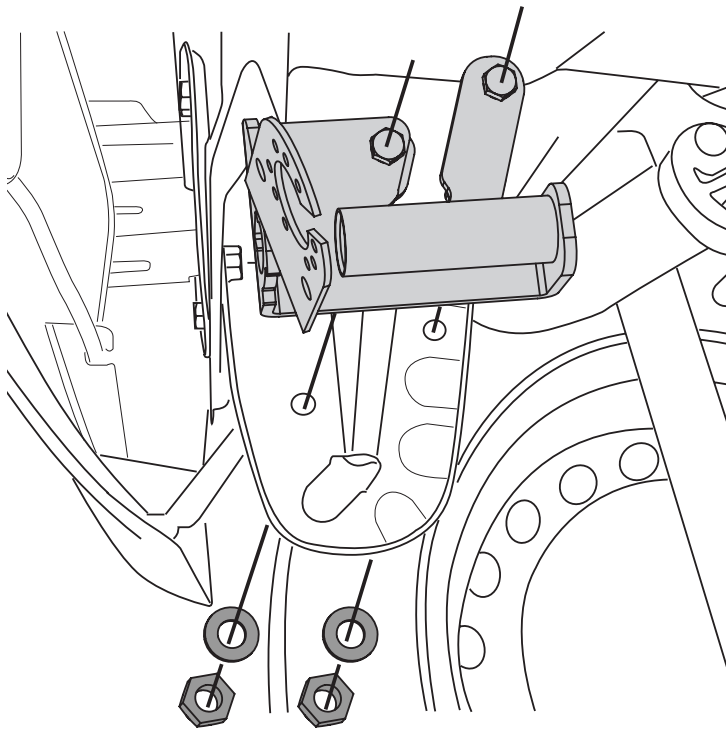
01.1564.2

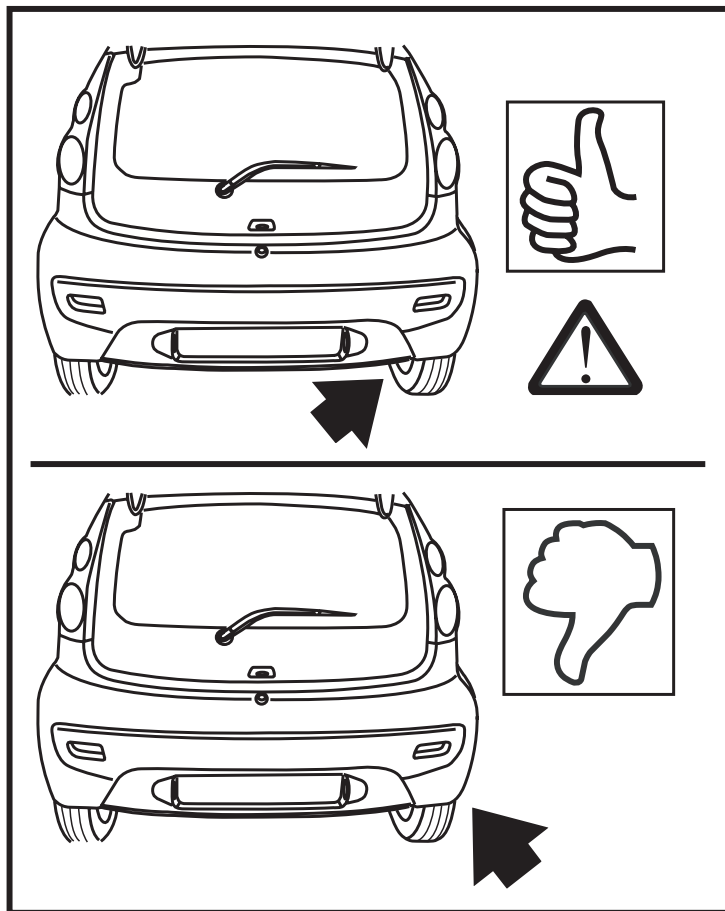
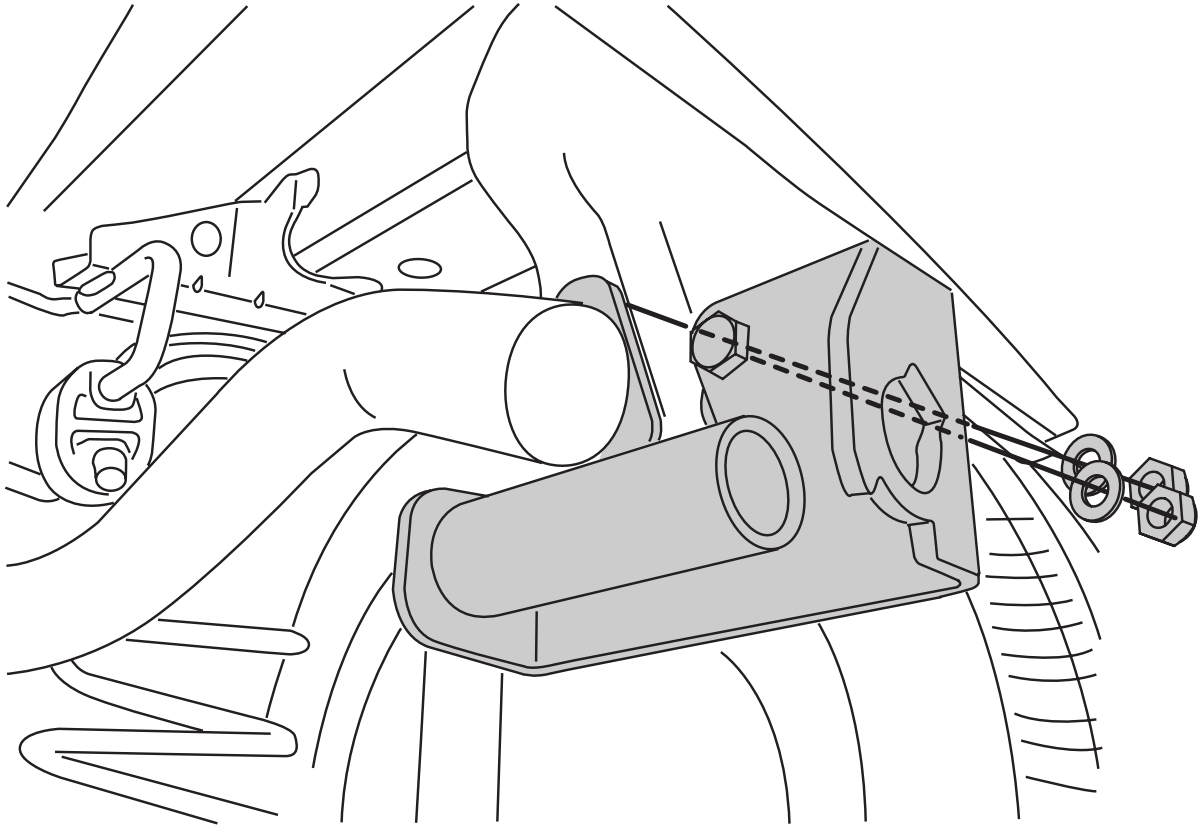
1	1x	FFJ 6329H	
3	1x	FFJ 6329V	
5	2x	FBR 6226	
6	2x	FBR 6227	
7	1x	FFA 0056H	
8	1x	FFA 0056V	
12	2x	FFJ 02007	
14	2x	HPD.64102	
15	1x	FFJ 02009	
18	4x	M10x35 (8.8)	
19	1x	M8x40 (8.8)	
20	2x	M6x40 (8.8)	
21	4x	M10.lock (8)	
22	1x	M8.lock (8)	
23	2x	M6.lock (8)	
24	4x	10.5x22x2	
25	1x	M.64195	
26	2x	HPP 0012	
27	2x	HPP 0013	

01

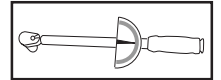
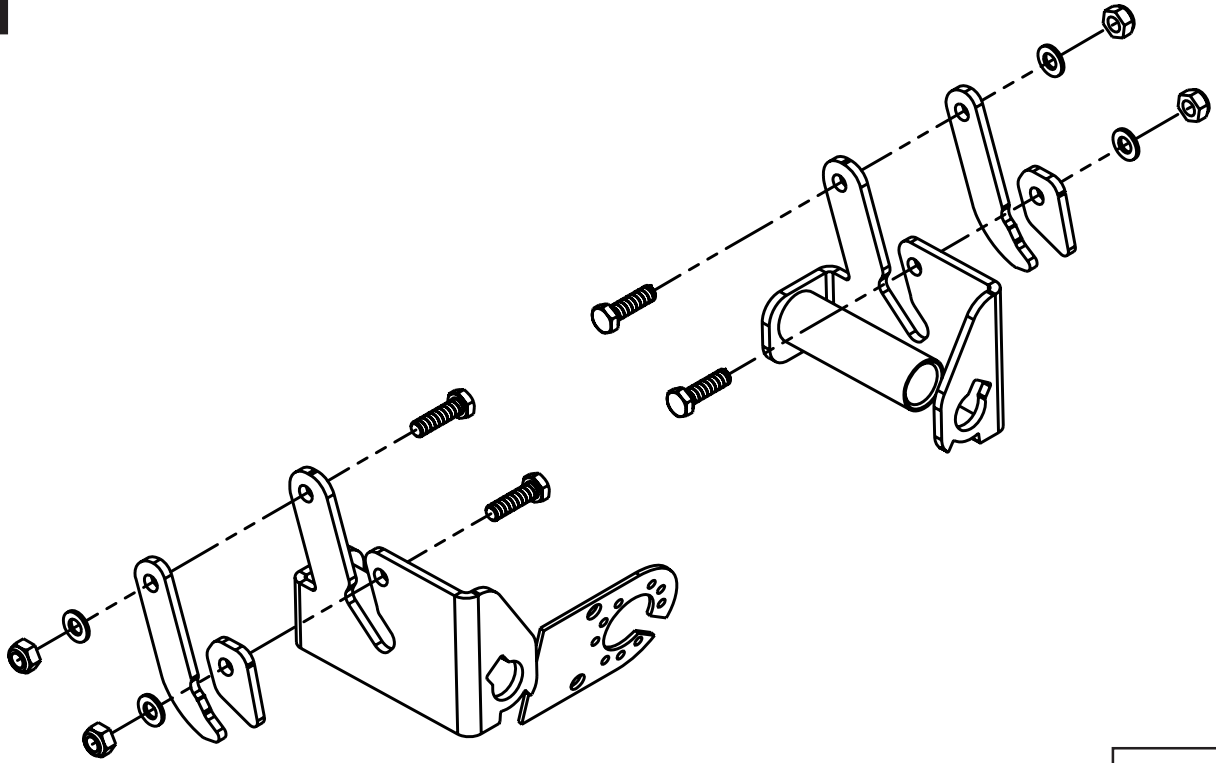


2A



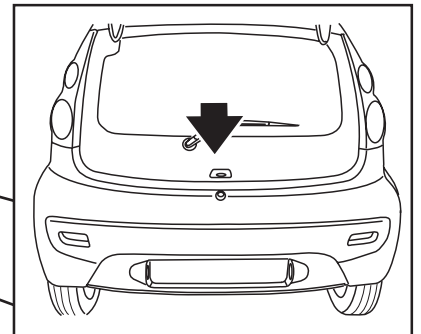
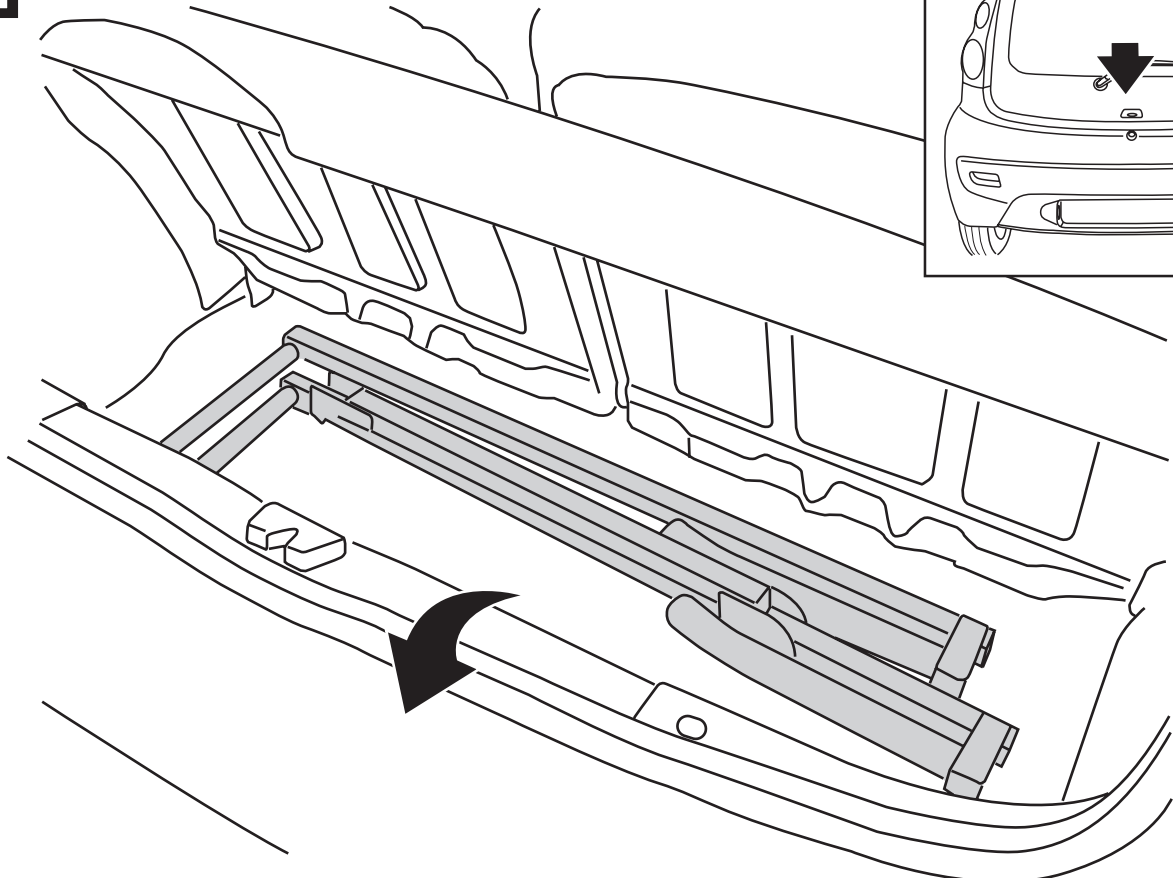


03

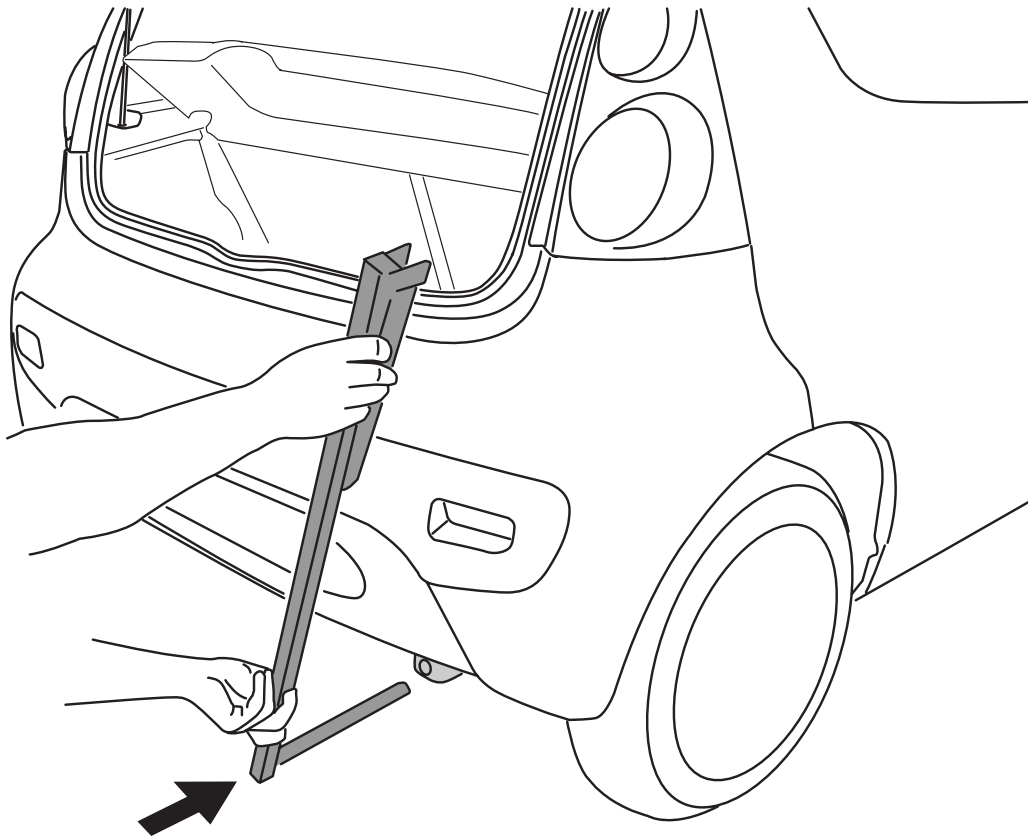


Screw/Nm	M6	M8	M10	M12	M14	M16	
Class 8.8	9,9	24	48	83	132	200	

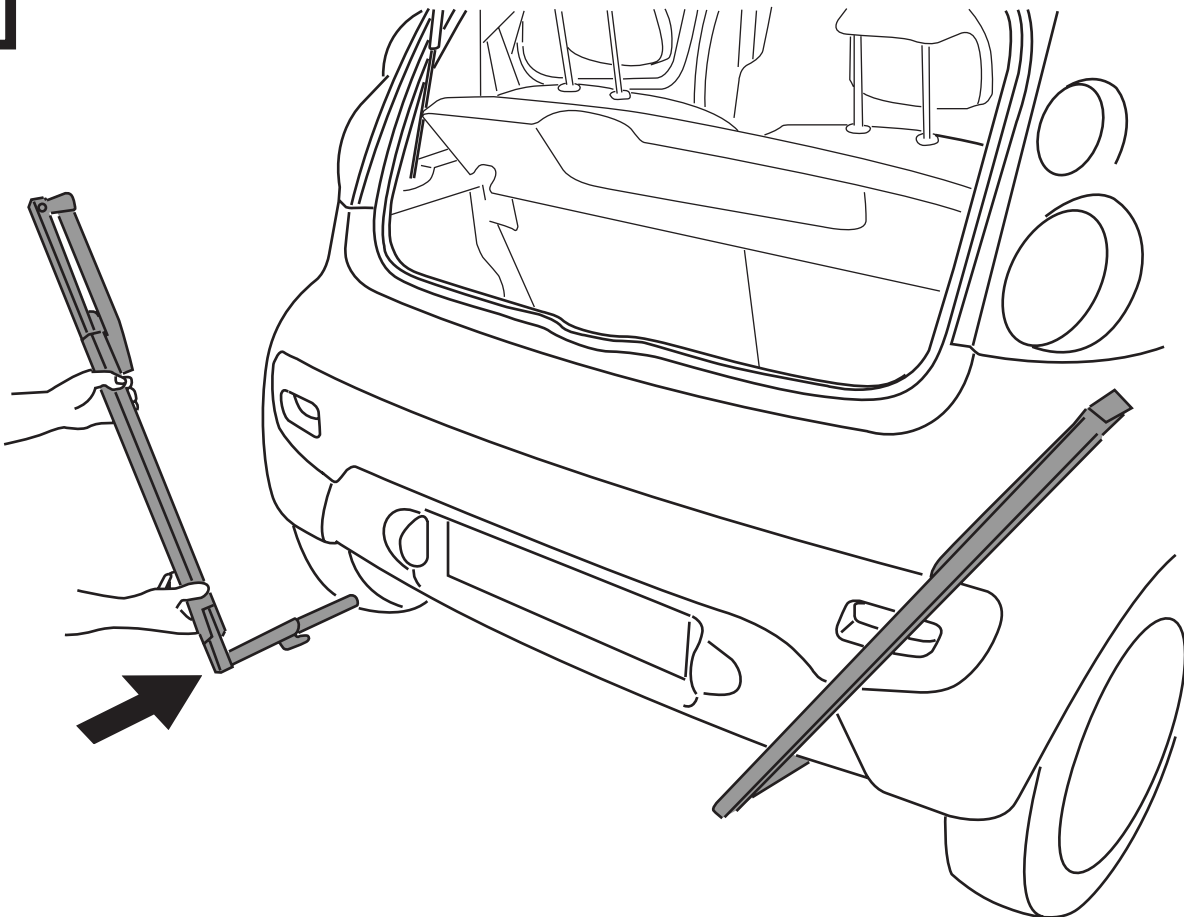
04



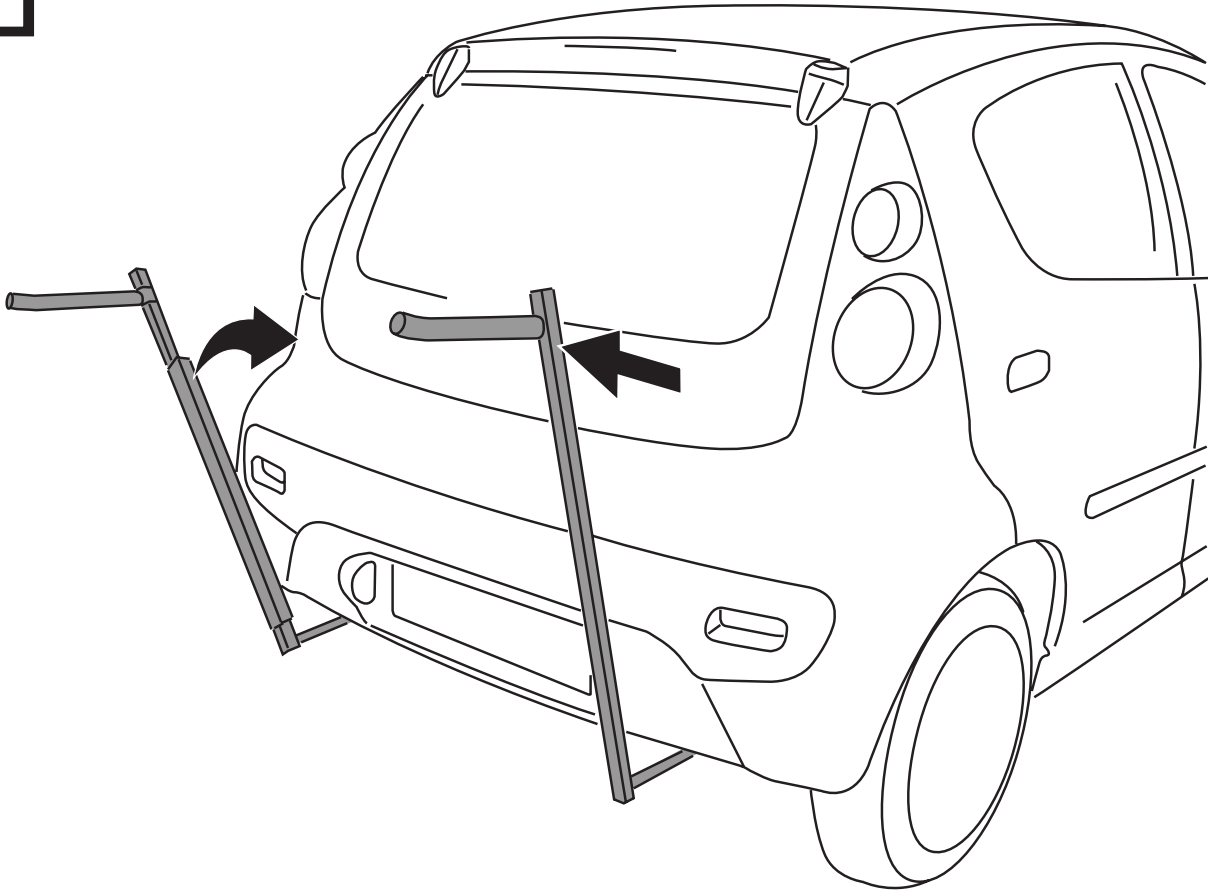
05



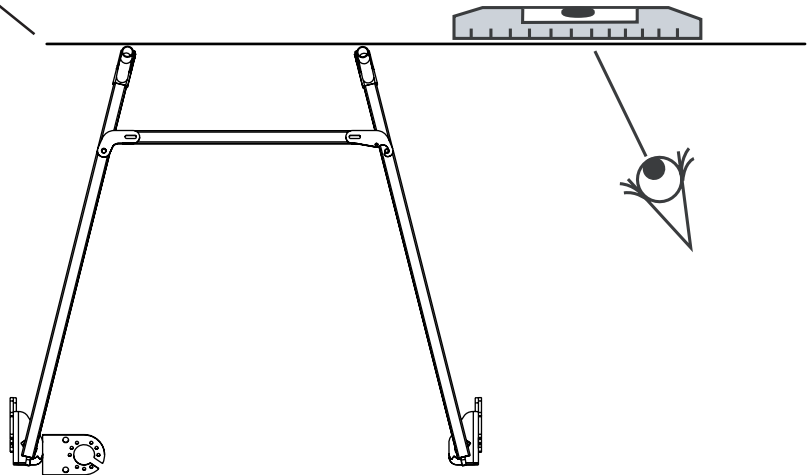
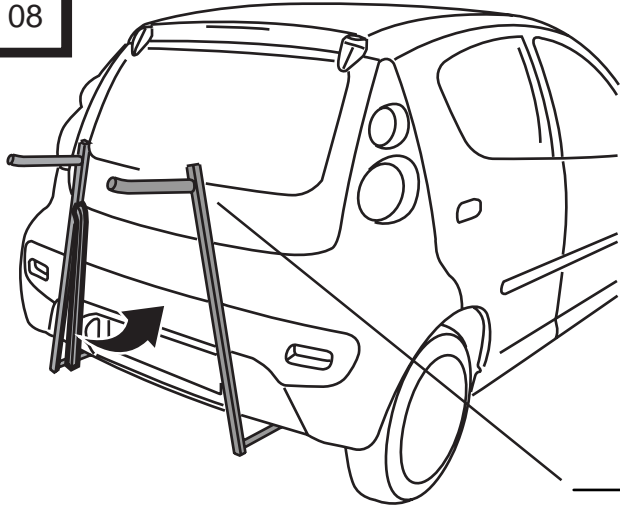
06



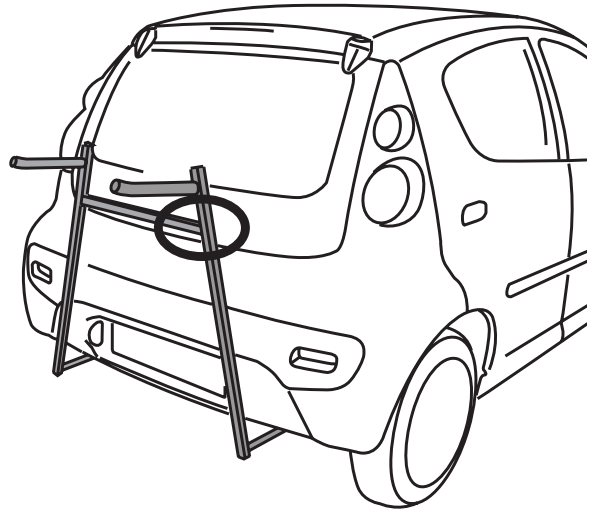
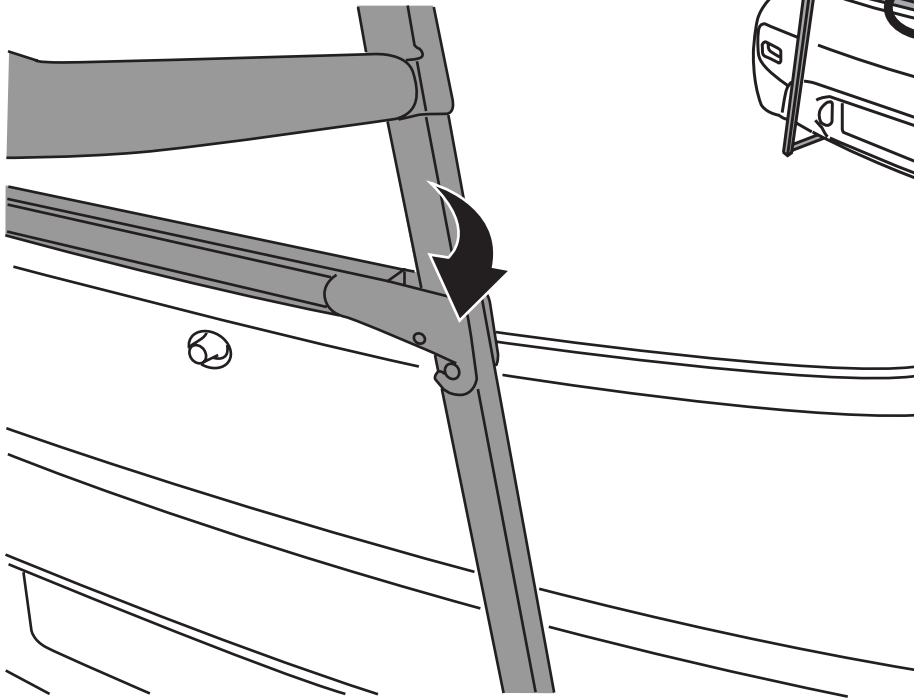
07



08



09



10

