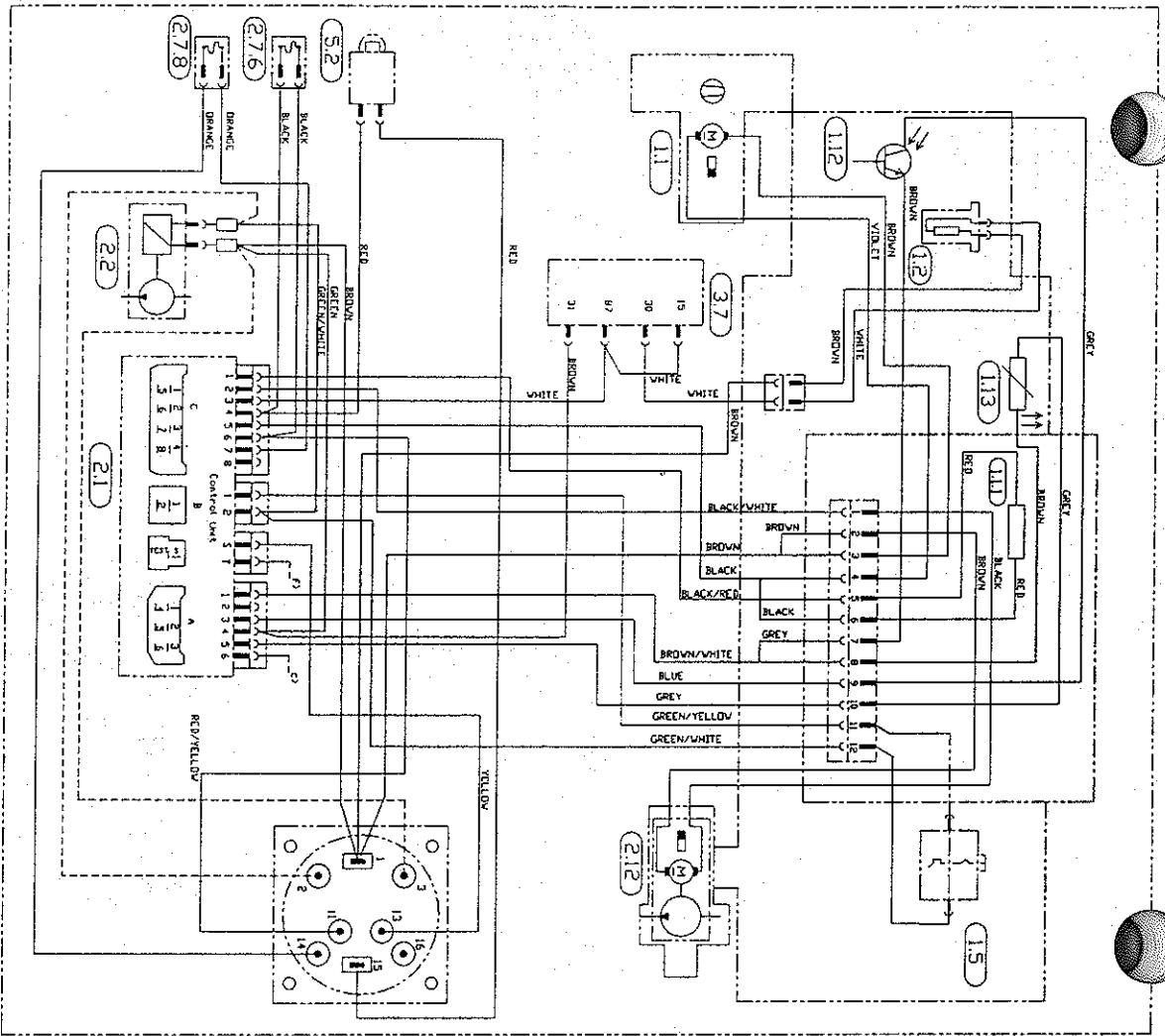
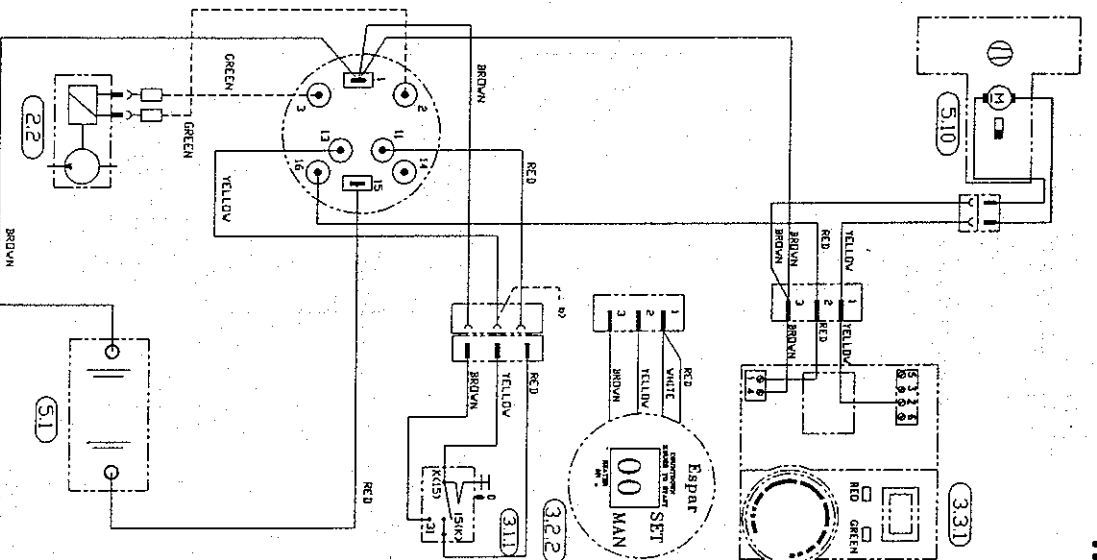


# WIRING DIAGRAM D7WB (BOXED) 25 1666 05 (12V)



- 1.1 Burner motor
- 1.1.1 Series resistor for partial load
- 1.2 Glow plug
- 1.5 Safety thermal cutout switch
- 1.12 Flame sensor
- 1.13 Temperature sensor
- 2.1 Control unit
- 2.2 Fuel metering pump (mounted inside or outside box)



- 2.76 Water pump/blower fuse 15A
- 2.78 Heat exchanger blower fuse 3A
- 2.12 Water pump
- 3.1.1 On/Off switch
- 3.2.2 Timer (99hr digital)
- 3.3.1 Room thermostat
- 3.7 Glow plug voltage regulator
- 5.1 Battery

- 5.2 Main circuit breaker 30A
- 5.10 Bunk heater blower motor
- b Relay connection for triggering water solenoid valve (if required)
- c External control of water pump (if required)
- f Test connection (workshop)