

PLANAR 44D - PARTS & ASSEMBLY CATALOGUE

PLANAR-44D-24
PLANAR-44D-12

ADVR.063.00.00.000 KDS

PF Jones are official partners of Autoterm Europe | Diesel Air Heaters and Engine Preheaters, offering as a service point and seller for Planar diesel air heaters and spare parts.

Information collated in this catalogue is provided by Autoterm Europe (April 2017).

For general customer services please contact our head office:

info@pfjones.co.uk

+44 161 872 4755

Nuttall Street, Old Trafford, Manchester, M16 9JA



This Part and Assembly Catalog is intended for PLANAR-44D air heater installation, maintenance, and repair personnel for the following air heater models:

- PLANAR-44D-24/12
- PLANAR-44D-24/12-01
- PLANAR-44D-24/12-GP
- PLANAR-44D-24/12-GP-01
- PLANAR-44D-24/12-GP-TM
- PLANAR-44D-24/12-GP-TM2
- PLANAR-44D-24/12-GP-S
- PLANAR-44D-24/12-GP-P

The Catalog consists of the following sections:

- 1) Air heater components are presented as the product structure (Fig. 1) and the bill of materials (BOM), Table 1.
- 2) Air heater components are presented as the product structure (Fig. 2) and the bill of materials (BOM), Table 2.

The products have different control units, fuel pumps, blowers, plugs, and configurations. The Catalog helps identify the heater parts and assemblies that may fail in operation. The numbers in the cells indicate the amount supplied as standard.

NOTE: Please specify the manufacturer's part IDs listed in the tables for ordering spare parts and components.

If you have questions on maintenance, contact our general customer service team, you can email them at info@pfjones.co.uk or call +44 161 872 4755, PF Jones is open Monday - Friday, 08:00 - 17:00 (Closed UK bank holidays).

WARNING:

1. The products with the "GP" letters in their designation are equipped with glowplugs made in Japan. The GP plugs shall be tested under 9 V (for 12 V heaters) or 18 V (for 24 V heaters).
2. The products without the "GP" letters in the designation are equipped with the Assy.1593 glowplug. The Assy.1593 glowplugs can be tested at 12 V only!!!

WARNING:

The GP and Assy.1593 glowplugs are not interchangeable! To replace an Assy.1593 glowplug with a GP glowplug the control module shall be replaced or its firmware shall be updated, and an interface glowplug harness shall be installed.

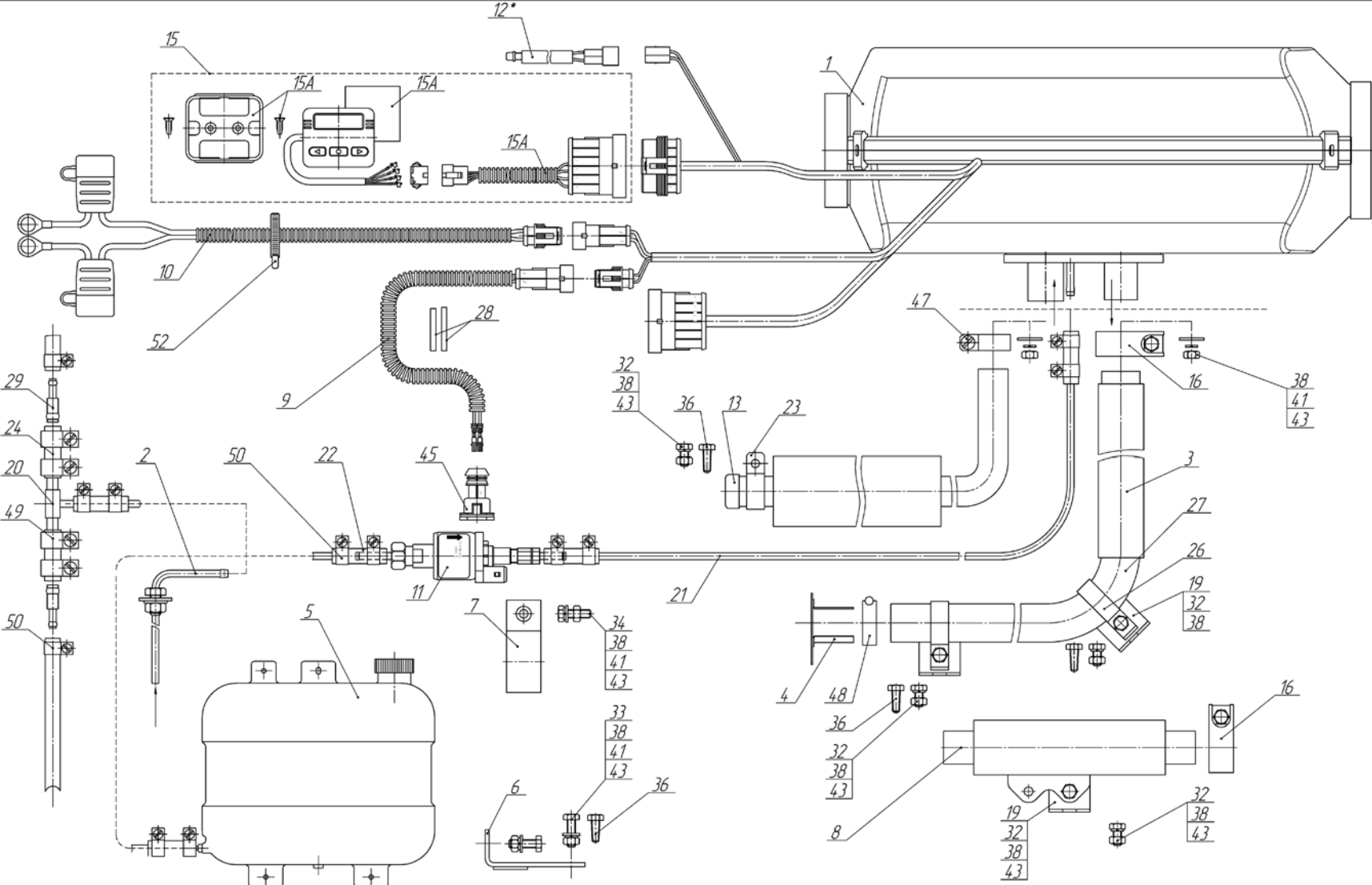


Fig. 1 - Air Heater Structure.

Table 1

Pos.	Part/Assembly Name and ID	Manufacturer's MQID	Remark	Configurations																	
				PLANAR-44D-24	PLANAR-44D-12	PLANAR-44D-24-01	PLANAR-44D-12-01	PLANAR-44D-24-GP	PLANAR-44D-12-GP	PLANAR-44D-24-GP-01	PLANAR-44D-12-GP-01	PLANAR-44D-24-GP-TM	PLANAR-44D-12-GP-TM	PLANAR-44D-24-GP-TM2	PLANAR-44D-12-GP-TM2	PLANAR-44D-24-GP-S-2970	PLANAR-44D-12-GP-S-2985	PLANAR-44D-24-GP-S-3140	PLANAR-44D-12-GP-S-3155	LANAR-44D-24-GP-P-3030	PLANAR-44D-12-GP-P-3045
	Heater Number			1	2	3	4	5	6	7	8	9	10	11	12	13	14	15	16	17	18
1	Heater			1		1															
	ADBP.063.02.00.000	Assy.1937	24V	1		1															
	ADBP.063.02.00.000-01	Assy.1941	12V		1		1														
	ADBP.119.01.00.000	Assy.2501	24V					1		1		1		1							
	ADBP.119.01.00.000-01	Assy.2516	12V						1		1		1		1						
	ADBP.186.01.00.000	Assy.2971	24V													1		1			
	ADBP.186.01.00.000-01	Assy.2986	12V														1		1		
	ADBP.186.02.00.000	Assy.3031	24V																	1	
	ADBP.186.02.00.000-01	Assy.3046	12V																		1
2	Fuel suction pipe																				
	ADBP.010.06.00.000	Assy.807		-	-	1	1	-	-	1	1	1	1	1	1	-	-	1	1	1	1
3	Heat insulation																				
	ADBP.010.12.00.000-01	Assy.162		1	1	1	1	1	1	1	1					1	1	1	1		
	Insulating sleeve (25x5x450 mm)											1	1	1	1					1	1
4	Shield																				
	ADBP.010.17.01.000	Assy.866		1	1	1	1	1	1	1	1	1	1	1	1	1	1	1	1	1	1

ADVR.063.00.00.000 KDS

	Heater Number		1	2	3	4	5	6	7	8	9	10	11	12	13	14	15	16	17	18
5	Tank																			
	ADBP.016.01.00.000	Assy.291	1	1	-	-	1	1	-	-	1	1	-	-	1	1	-	-	1	1
6	L-profile and gasket																			
	ADBP.016.02.00.000	Assy.292	3	3	-	-	3	3	-	-	3	3	-	-	3	3	-	-	3	3
7	Fixing strap (for the fuel pump)																			
	ADBP.048.12.00.000	Assy.1467	1	1	1	1	1	1	1	1	1	1	1	1	1	1	1	1	1	1
8	Damper																			
	ADBP.051.07.00.000	Assy.2712	-	-	-	-	-	-	-	-	1	1	1	1	-	-	-	-	1	1
	ADBP.115.01.00.000-01	Assy.3721																	1	1
9	Fuel pump harness																			
	ADBP.063.03.00.000	Assy.2061	1	1	1	1	1	1	1	1	1	1	1	1	1	1	1	1	1	1
10	Power harness																			
	ADBP.063.04.00.000	Assy.1693	1		1		1		1		1		1		1		1		1	
	ADBP.063.05.00.000	Assy.1499		1		1		1		1		1		1		1		1		1
11	Fuel pump																			
	ADBP.209.00.00.000-03	Assy.3645	1		1		1		1						1		1			
	ADBP.209.00.00.000-02	Assy.3640		1		1		1		1						1		1		
	Dosing pump Thomas Magnete P326 24 V										1		1							1
	Dosing pump Thomas Magnete P326 12 V											1		1						1
12	Interior sensor																			
	ADBP.081.00.00.000	Assy.1458																		
13	Air intake																			
	ADBP.063.08.00.000	Assy.1498	1	1	1	1														
	ADBP.119.02.00.000	Assy.2552					1	1	1	1	1	1	1	1	1	1	1	1	1	1

ADV.R.063.00.00.000 KDS

	Heater Number		1	2	3	4	5	6	7	8	9	10	11	12	13	14	15	16	17	18
15	Control panel																			
	ADBP.066.00.00.000	Assy.1355	PU-8	1	1	1	1	1	1	1										
	ADBP.066.01.00.000-02	Assy.2184	PU -8								1	1	1	1						
	ADBP.212.00.00.000	Assy.3340	PU -22												1	1	1	1		
	ADBP.212.00.00.000-01	Assy.3355	PU -22TM																1	1
15A	Control panel assembly																			
	ADBP.066.02.00.000-01	Assy.2067	Interface harness																	
	ADBP.025.00.00.011	D.2256	Bracket																	
	ADBP.048.09.00.001	D.1348	Gasket																	
	Screw 3.5x13 (2 pcs.)																			
16	Strap																			
	ADBP.051.03.00.000	Assy.2649													1	1	1	1	3	3
	Heavy-duty strap 26-28			1	1	1	1	1	1	1	3	3	3	3						
19	Bracket																			
	04TC.451.00.00.00.002	D.2		2	2	2	2	2	2	2	3	3	3	3	2	2	2	2	3	3
20	Tee pipe																			
	04TC.451.00.00.00.010	D.143		-	-	1	1	-	-	1	1	1	1	1	-	-	1	1	1	1
21	Fuel line																			
	ADBP.010.00.00.001	D.879	L=5,500 mm	1	1	1	1	1	1	1	1	1	1	1	1	1	1	1	1	1
22	Coupling																			
	ADBP.010.00.00.003	D.880	L=70 mm	4	4	4	4	4	4	4	4	4	4	4	4	4	4	4	4	4
23	Strap																			
	ADBP.010.00.00.010	D.845		1	1	1	1	1	1	1	1	1	1	1	1	1	1	1	1	1
24	Coupling																			
	ADBP.010.00.00.004	D.881	L=50 mm	-	-	2	2	-	-	-	-	-	-	-	-	-	-	-	-	-

	Heater Number		1	2	3	4	5	6	7	8	9	10	11	12	13	14	15	16	17	18
25	Adapter pipe																			
	ADBP.025.00.00.002	D.489	-	-	2	2	-	-	-	-	-	-	-	-	-	-	-	-	-	-
26	Strap																			
	ADBP.051.00.00.001	D.2247	2	2	2	2	2	2	2	2					2	2	2	2		
	04TC.451.00.00.00.004	D.92									2	2	2	2					2	2
27	Metal hose																			
	ADBP.051.00.00.005	D.2283	L=1,000 mm	1	1	1	1	1	1	1					1	1	1	1		
	ADBP.010.17.00.001	D.1106	L=1,000 mm								1	1	1	1					1	1
28	Insulator																			
	ADBP.098.32.00.002	D.2555	L=35 mm	2	2	2	2	2	2	2	-	-	-	-	2	2	2	2	-	-
32	Bolt M6 x 16																			
33	Bolt M6 x 20																			
34	Bolt M6 x 25																			
36	Screw 6.4x16 (self-tapping)																			
38	Nut M6																			
41	Washer M6, Ø6 mm (large)																			
43	Washer M6, Ø6 mm																			
45	Connector AMR 282762-1																			
47	Strap Mikalor 25 x 40																			
48	Strap Mikalor 20 x 32																			
49	Strap Mikalor 10 x 16																			
50	Strap Mikalor mini or Strap ABA mini																			
52	Plastic strap 200 x 4.5																			

ADVR.063.00.00.000 KDS

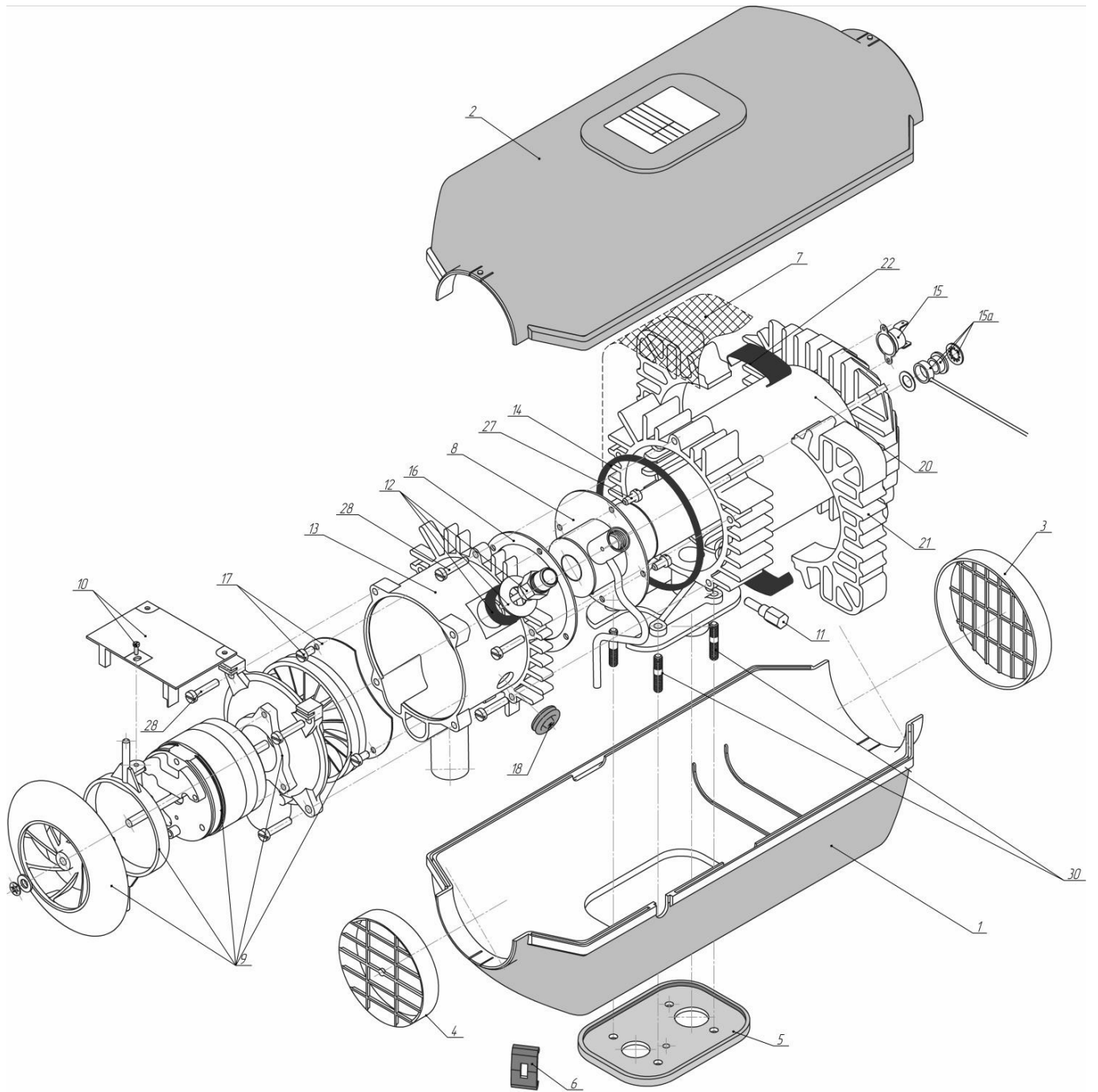


Fig. 2 - Heater Structure

Table 2

Pos.	Part/Assembly Name and ID	Manufacturer's MQID	Remark	Heaters							
				Assy.1937	Assy.1941	Assy.2501	Assy.2516	Assy.2971	Assy.2986	Assy.3031	Assy.3046
	Heater Number			1	2	3	4	5	6	7	8
1	Bottom enclosure										
	ADBP.063.01.00.001	D.1396		1	1	1	1	1	1	1	1
2	Top enclosure										
	ADBP.063.01.00.002	D.1397		1	1	1	1	1	1	1	1
3	Exhaust grid										
	ADBP.063.01.00.003	D.1398		1	1	1	1	1	1	1	1
4	Intake grid										
	ADBP.063.01.00.004	D.1399		1	1	1	1	1	1	1	1
5	Seal										
	ADBP.063.01.00.005	D.1550		1	1	1	1	1	1	1	1
6	Grip										
	ADBP.063.01.00.008	D.1683		4	4	4	4	4	4	4	4
7	Strip										
	ADBP.063.01.00.015	D.2001		1	1	1	1	1	1	1	1
8	Combustion chamber										
	ADBP.063.01.03.000	Assy.1503		1	1	1	1	1	1	1	1
9	Blower										
	ADBP.063.01.04.000	Assy.1881	24V	1		1		1		1	
	ADBP.063.01.04.000-01	Assy.1911	12V		1		1		1		1
	ADBP.119.01.01.001	Assy.3495	Gasket					1	1	1	1
10	Control module										
	ADBP.063.01.05.000	Assy.1882		1							
	ADBP.063.01.05.000-01	Assy.1912			1						
	ADBP.119.01.02.000	Assy.2503				1					
	ADBP.119.01.02.000-01	Assy.2518					1				
	ADBP.186.01.02.000	Assy.2973						1			
	ADBP.186.01.02.000-01	Assy.2988							1		
	ADBP.186.02.02.000	Assy.3033								1	
	ADBP.186.02.02.000-01	Assy.3048									1
	Screw 3.5 x 9.5			1	1	1	1	1	1	1	1
	Washer M4, Ø4			1	1	1	1	1	1	1	1
11	Flame detector										
	ADBP.063.01.06.000	Assy.1316		1	1	1	1	1	1	1	1
	ADBP.010.01.01.014	D.1105	Washer	1	1	1	1	1	1	1	1

12	Glowplug assembly											
	ADBP.063.01.07.000	Assy.1593	Glowplug	1	1							
	ADBP.119.01.03.000	Assy.2253	Glowplug AD-9 V			1		1		1		
	ADBP.119.01.03.000-01	Assy.2288	Glowplug AD-18 V				1		1			1
	ADBP.010.01.01.009	D.818	Washer (metallic)	1	1	1	1	1	1	1	1	1
	ADBP.010.01.01.010	D.859	Sleeve	1	1	1	1	1	1	1	1	1
	10TC.451.06.00.00.002	D.117	Ring	1	1	1	1	1	1	1	1	1
13	Adapter											
	ADBP.063.01.01.001	D.1551		1	1	1	1	1	1	1	1	1
14	Gasket											
	ADBP.063.01.01.002	D.1552		1	1	1	1	1	1	1	1	1
15	Overheat sensor assembly (bi-metallic)											
	55H 1894 2A06		Sensor	1	1	1	1					
	ADBP.063.01.01.003	D.1553	Plate	1	1	1	1					
	Screw M3x8 DIN7500 CE			2	2	2	2					
15A	Overheat sensor assembly (TC)											
	ADBP.165.06.00.000-02	Assy.3058						1	1	1	1	
	ADBP.165.02.00.008 or ADBP.165.02.00.008-01	D.2660 or D.3939	Fibre washer					1	1	1	1	
	ADBP.165.02.00.009	D.2661	Insulator					1	1	1	1	
	D8 STAR-LOCK C		Lock washer					1	1	1	1	
16	Gasket											
	ADBP.063.01.01.004	D.1554		1	1	1	1	1	1	1	1	1
17	Shield											
	ADBP.010.01.01.005			1	1	1	1	1	1	1	1	1
	Screw 3 x 6		(self-tapping)	2	2	2	2	2	2	2	2	2
18	Seal											
	OTC.451.01.00.00.010	D.21		1	1	1	1	1	1	1	1	1
20	Heat exchanger											
	ADBP.063.01.02.002	D.1555		1	1	1	1					
	ADBP.186.01.03.001	D.3257						1	1	1	1	
21	Radiator											
	ADBP.063.01.02.003 ADBP.186.01.03.002	D.1556 or D.3750		8	8	8	8	8	8	8	8	8
22	Clamp											
	ADBP.010.01.02.003			8	8	8	8	8	8	8	8	8
27	Screw M5 x 10			6	6	6	6	6	6	6	6	6
28	Screw M5 x 10			9	9	9	9	9	9	9	9	9
30	Screw M5 x 10			4	4	4	4	4	4	4	4	4

To place an order, please contact your local depot or the PF Jones head office.

Notes:

PF Jones Head Office

Stoke-on-Trent Depot

Wigan Depot

Rugby Depot

0161 872 4755

01782 744 556

01942 826 304

Nuttall Street
Old Trafford

Mason Street
Fenton

Pottery Road
Wigan

33 Somers Road
Rugby

Manchester
M16 9JA

Stoke-on-Trent
ST4 3NE

Greater Manchester
WN3 5AA

CV22 7DH

Printed in UK. Subject to change
without notice.
Prices subject to VAT.