

PLANAR 2D - PARTS & ASSEMBLY CATALOGUE

ADVR.165.00.00.000 KDS

PF Jones are official partners of Autoterm Europe | Diesel Air Heaters and Engine Preheaters, offering as a service point and seller for Planar diesel air heaters and spare parts.

Information collated in this repair manual is provided by Autoterm Europe (April 2017).

For general customer services please contact our head office:

info@pfjones.co.uk

+44 161 872 4755

Nuttall Street, Old Trafford, Manchester, M16 9JA



This Part and Assembly Catalog is intended for PLANAR-2D air heater installation, maintenance, and repair personnel.

OOO Advers offers the following air heater models:

- PLANAR-2D-24/12
- PLANAR-2D-24/12-i
- PLANAR-2D-24/12-MK
- PLANAR-2D-24/12-TM
- PLANAR-2D-24/12-MK2

The Catalog consists of the following sections:

1) Air heater components are presented as the product structure (Fig. 1) and the bill of materials (BOM), Table 1.

2) Air heater components are presented as the product structure (Fig. 2) and the bill of materials (BOM), Table 2.

The products have different control units, fuel pumps, blowers, plugs, and configurations.

The Catalog helps identify the heater parts and assemblies that may fail in operation. The numbers in the cells indicate the amount supplied as standard.

NOTE: Please specify the manufacturer's part IDs listed in the tables for ordering spare parts and components.

If you have questions on maintenance, contact our general customer service team, you can email them at info@pfjones.co.uk or call +44 161 872 4755, PF Jones is open Monday - Friday, 08:00 - 17:00 (Closed UK bank holidays).

WARNING:

1. The glow plugs included are made in Japan. The plugs shall be tested under 9 V (for 12 V heaters) or 18 V (for 24 V heaters).

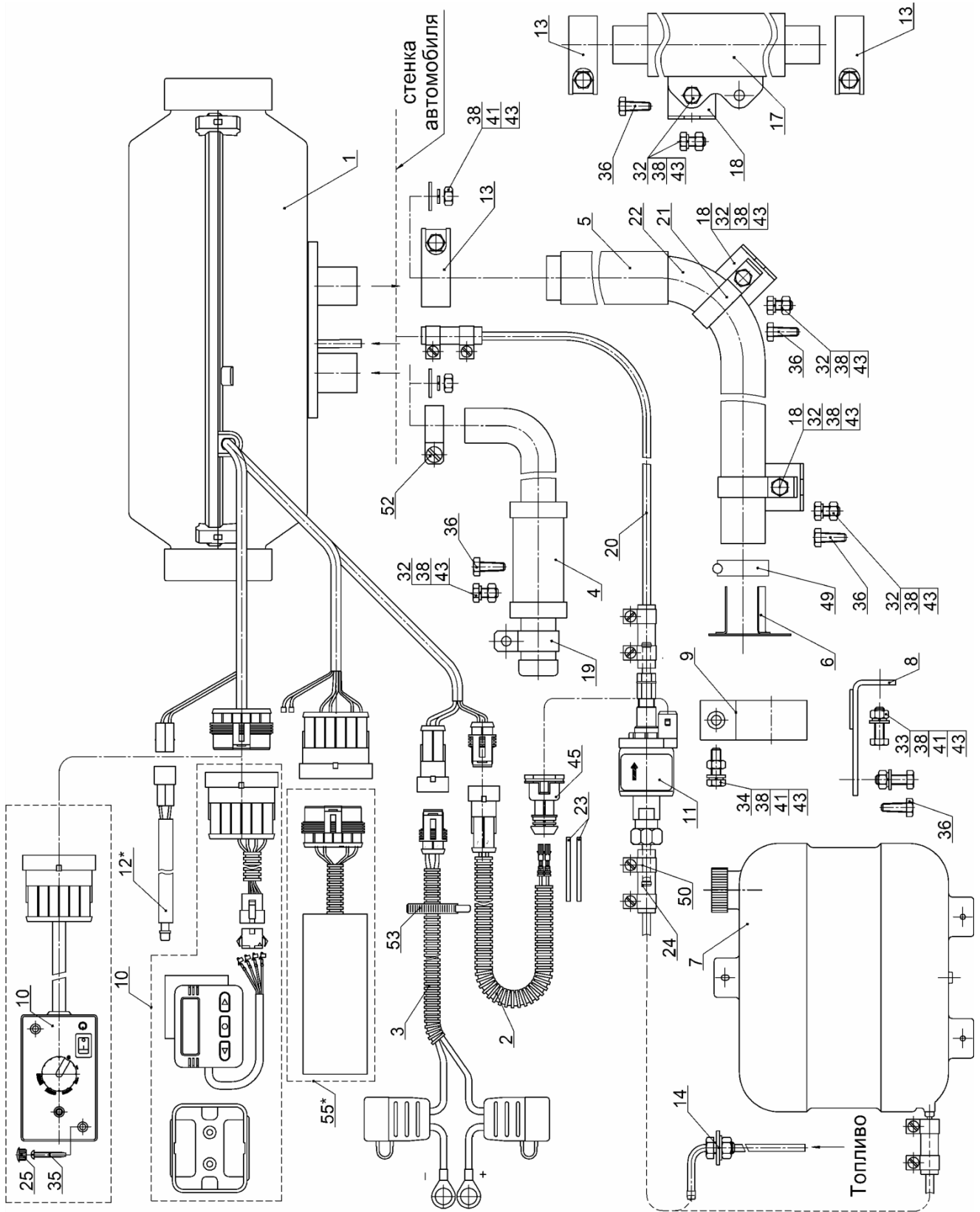


Fig. 1 Air Heater Structure

Table 1

Pos.	Part/Assembly Name and ID	Manufacturer's MQID	Remark	Air Heaters									
				PLANAR-2D-24	PLANAR-2D-12	PLANAR-2D-24-i	PLANAR-2D-12-i	PLANAR-2D-24-MK	PLANAR-2D-12-MK	PLANAR-2D-24-TM	PLANAR-2D-12-TM	PLANAR-2D-24-MK2	PLANAR-2D-12-MK2
Air Heater Number				1	2	3	4	5	6	7	8	9	10
1	Heater												
	ADVR.165.01.00.000	Assy.2576	24B	1				1		1		1	
	ADVR.165.01.00.000-01	Assy.2611	12B		1				1		1		1
	ADVR.165.01.00.000-02		24 V			1							
	ADVR.165.01.00.000-03		12 V				1						
2	Fuel pump harness												
	ADVR.063.03.00.000	Assy.2061		1	1	1	1	1	1	1	1	1	1
3	Power harness												
	ADVR.063.04.00.000	Assy.1693	24 V	1		1		1		1		1	
	ADVR.063.05.00.000	Assy.1499	12 V		1		1		1		1		1
4	Air intake												
	ADVR.119.02.00.000	Assy.2552	With a damper	1	1	1	1	1	1	1	1	1	1
5	Heat insulation												
	ADVR.010.12.00.00.000-01	Assy.162		1	1	1	1	1	1			1	1
	Insulating sleeve (28x5x450 mm)									1	1		
6	Shield												
	ADVR.010.17.01.000	Assy.866		1	1	1	1	1	1	1	1	1	1
7	Tank												
	ADVR.016.01.00.000	Assy.291						1	1				
8	L-profile and gasket												
	ADVR.016.02.00.000	Assy.292						3	3				
9	Fixing strap (for the fuel pump)												
	ADVR.048.12.00.000	Assy.1467		1	1	1	1	1	1	1	1	1	1
10	Control panel												
	ADVR.212.00.00.000	Assy.3340	PU-22	1	1	1	1	1	1				
	ADVR.168.00.00.000-02	Assy.3355	PU-22TM							1	1		
	ADVR.125.02.00.000	Assy.2051	PU-10M									1	1
	ADVR.066.02.00.000-02	Assy.2067	Interface harness	1	1	1	1	1	1	1	1		
11	Fuel pump												
	ADVR.209.00.00.000-04	Assy.3650	TH9-4,4ml-24B	1		1		1				1	
	ADVR.209.00.00.000-01	Assy.3635	TH9-4,4ml-12B		1		1		1				1
	Dosing pump Thomas magnet		P327 12B								1		
	Dosing pump Thomas magnet		P327 24B							1			
12	Interior sensor												
	ADVR.081.00.00.000	Assy.1458	Optional										
13	Fixing strap 26x28 (for the exhaust pipe)												
	ADVR.051.03.00.000	Assy.2649		1	1	1	1	1	1			1	1
	Heavy-duty strap 26-28									3	3		

ADVR.165.00.00.000 KDS

	Air Heater Number			1	2	3	4	5	6	7	8	9	10
14	Fuel suction pipe												
	ADVR.010.06.00.000	Assy.807		1	1	1	1					1	1
	ADVR.010.06.00.000-01	Assy.3228								1	1		
17	Damper												
	ADVR.051.07.00.000	Assy.2712								1	1		
18	Bracket												
	4TC.451.00.00.00.002	D.2		2	2	2	2	2	2	3	3	2	2
19	Strap												
	ADVR.010.00.00.010	D.845		1	1	1	1	1	1	1	1	1	1
20	Fuel line												
	ADVR.010.00.00.001	D.879	Nylon pipe PA11-5.3x1.65 L=5,500 mm	1	1	1	1	1	1	1	1	1	1
21	Strap												
	ADVR.051.00.00.001	D.2247		2	2	2	2	2	2			2	2
	04TC.451.00.00.00.004	D.92								2	2		
22	Exhaust pipe												
	ADVR.051.00.00.005	D.2283	Metal hose L=1,000 mm	1	1	1	1	1	1			1	1
	ADVR.10.17.00.001	D.1106	Metal hose L=1,000 mm							1	1		
23	Insulator												
	ADVR.098.32.00.002	D.2555	Heat-shrink tubing L=35 mm	2	2	2	2	2	2			2	2
24	Coupling												
	ADVR.010.00.00.003	D.880	L=70 mm	4	4	4	4	4	4	4	4	4	4
25	Plug												
	05TC.451.04.00.00.004	D.115										2	2
32	Bolt M6 x 16			5	5	5	5	5	5	7	7	5	5
33	Bolt M6 x 20 (fuel tank)							6	6				
34	Bolt M6 x 25 (fuel pump)			1	1	1	1	1	1	1	1	1	1
35	Screw 3.6 x 38.1 (control panel)											2	2
36	Screw 6.4 x 16 (self-tapping)			3	3	3	3	6	6	4	4	3	3
38	Nut M6			10	10	10	10	16	16	12	12	10	10
41	Washer M6 Large, Ø6 mm			5	5	5	5	11	11	5	5	5	5
43	Washer M6 Standard, Ø6 mm			8	8	8	8	14	14	10	10	8	8
45	Connector AMR 282762-1 (for the fuel pump harness)			1	1	1	1	1	1	1	1	1	1
49	Strap Mikalor 20x32 - For the exhaust pipe			1	1	1	1	1	1	1	1	1	1
50	Strap Mikalor mini 10/9			8	8	8	8	8	8	8	8	8	8
52	Strap Mikalor 25 x 40 - For the air intake			1	1	1	1	1	1	1	1	1	1
53	Plastic strap 200 x 3.6			15	15	15	15	15	15	15	15	15	15
55	CENTERION modem												
	ADVR.054.00.00.000	Assy.2645	Optional										

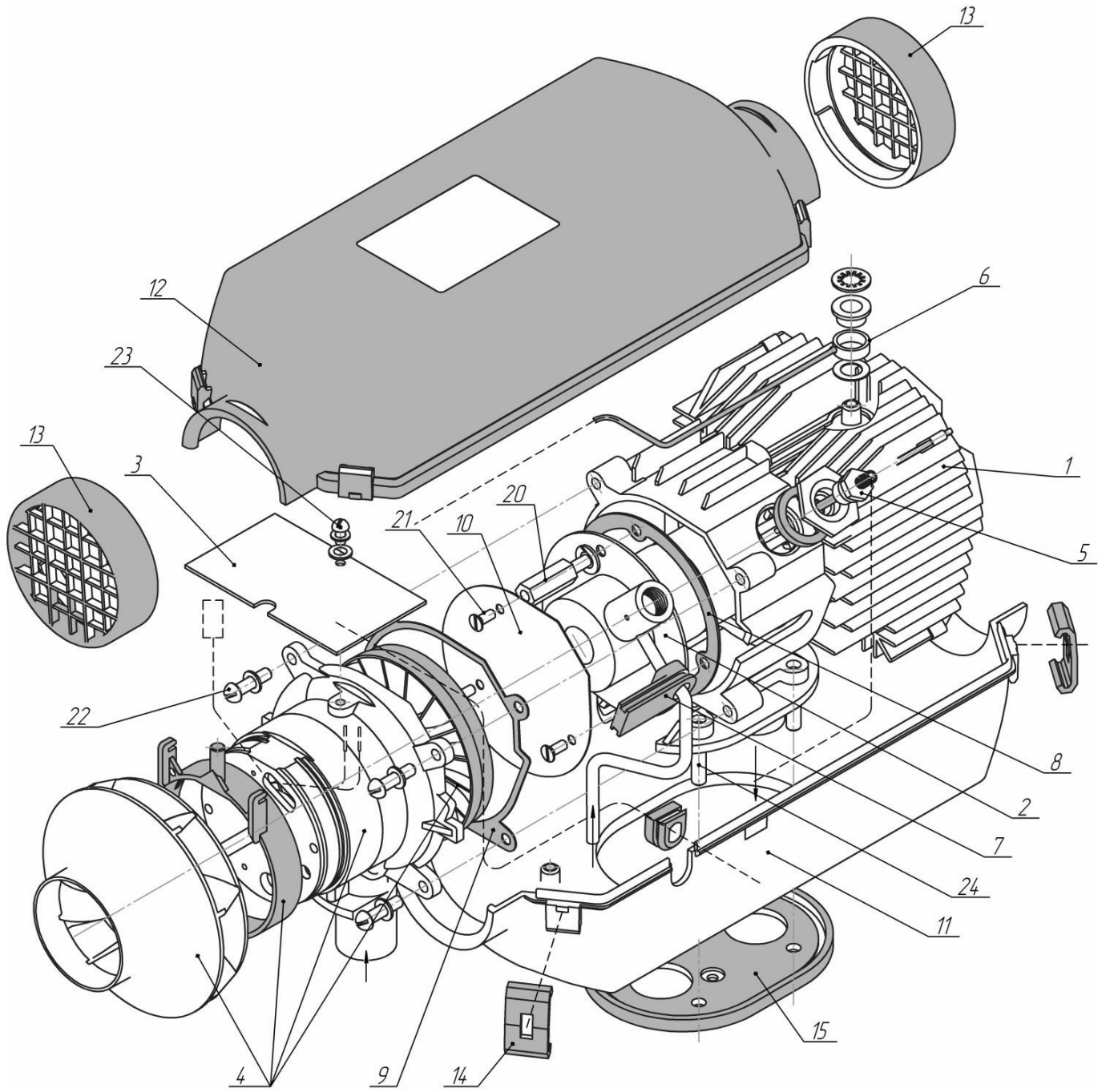


Fig. 2 Heater Structure

Table 2

Pos.	Part/Component Name and ID	Manufacturer's MQID	Remark	Heaters			
				PLANAR-2D-24	PLANAR-2D-12	PLANAR-2D-24-i	PLANAR-2D-12-i
	Heater Number			1	2	3	4
1	Heater						
	ADVR.165.02.00.001	D.2654		1	1	1	1
*	ADVR.165.02.00.002	D.4055					
2	Combustion chamber						
*	ADVR.165.03.00.000	Assy.2578		1	1	1	1
3	Control module						
	ADVR.165.05.00.000	Assy.2581	24 V	1			
	ADVR.165.05.00.000-01	Assy.2618	12 V		1		
4	Blower						
	ADVR.165.04.00.000	Assy.2579	24 V	1		1	
	ADVR.165.04.00.000-01	Assy.2613	12 V		1		1
5	Glowplug assembly						
	ADVR.165.07.00.000	Assy.2583	Glowplug 24 V	1		1	
	ADVR.165.07.00.000-01	Assy.2615	Glowplug 12 V		1		1
	ADVR.165.02.00.006	D.2822	Sealing sleeve	1	1	1	1
	ADVR.165.02.00.007	D.2659	Metallic sleeve	1	1	1	1
6	Temperature sensor assembly (Assy.2704 repair kit)						
	ADVR.165.06.00.000	Assy.2582	Temperature sensor	1	1	1	1
*	ADVR.165.06.00.000-03	Assy.3076	Temperature sensor	1	1	1	1
	ADVR.165.02.00.008	D.2660	Fibre washer	1	1	1	1
*	ADVR.165.02.00.008-01	D.3939	Fibre washer				
	ADVR.165.02.00.009	D.2661	Insulator	1	1	1	1
*	Screw M5 x 10			1	1	1	1
*	Washer M5, Ø5 mm		Large	1	1	1	1
	Spring washer M8, Ø8 mm			1	1	1	1
7	Fuel pipe sealing						
	ADVR.165.02.00.005	D.2658		1	1	1	1
8	Combustion chamber gasket						
	ADVR.165.02.00.002	D.2655		1	1	1	1
9	Blower gasket						
	ADVR.165.02.00.003	D.2656		1	1	1	1
10	Shield						
	ADVR.165.02.00.004	D.2657	up to Jan 2015	1	1	1	1
	ADVR.165.02.00.004-01	D.2967	from Jan 2015	1	1	1	1
11	Bottom enclosure						
	ADVR.165.01.00.001	D.2647		1	1	1	1
12	Top enclosure						
	ADVR.165.01.00.002	D.2648		1	1	1	1
13	Grid						
	ADVR.165.01.00.003	D.2649		2	2	2	2

ADVR.165.00.00.000 KDS

14	Grips						
	ADVR.063.01.00.008	D.1683		4	4	4	4
	Heater Number			1	2	3	4
15	Enclosure sealing						
	ADVR.165.01.00.004	D.2650		1	1	1	1
20	Combustion chamber fixing						
	Screw M5 x 12		up to Jan 2015	3	3	3	3
	ADVR.165.02.00.010	D.2905	Sleeve from Jan 2015	3	3	3	3
	Lock washer M5, Ø5 mm			3	3	3	3
21	Screen fixing						
	Screw M4 x 10		flush	3	3	3	3
22	Blower fixing						
	Screw M5 x 20			4	4	4	4
	Lock washer M5, Ø5 mm			4	4	4	4
23	Control module fixing						
	Screw M4 x 10			1	1	1	1
	Lock washer M4, Ø4 mm			1	1	1	1
24	Studs						
	M6 x 18			3	3	3	3
	M6 I 20			1	1	1	1

*The heaters manufactured prior to January 2015 had a combustion chamber shown in Fig. 3.
The heaters manufactured after January 2015 have a new combustion chamber shown in Fig. 4.

For replacing an old combustion chamber (Fig. 3) with a new one (Fig. 4) the screen (Pos. 10, Table 2) and the sleeves (Pos. 20, Table 2) are to be purchased/replaced.



Fig. 3



Fig. 4

The heaters manufactured prior to November 2016 had a heat exchanger (Prt.2654) and a temperature sensor (Assy.2582).

The heaters manufactured after November 2016 have a new heat exchanger (Prt.4055) and a new temperature sensor (Assy.3076).

The heat exchangers and the temperature sensors are not interchangeable since the sensor sockets differ in size.

To place an order, please contact your local depot or the PF Jones head office.

PF Jones Head Office
0161 872 4755
Nuttall Street
Old Trafford
Manchester
M16 9JA

Stoke-on-Trent Depot
01782 744 556
Mason Street
Fenton
Stoke-on-Trent
ST4 3NE

Wigan Depot
01942 826 304
Pottery Road
Wigan
Greater Manchester
WN3 5AA

Rugby Depot
33 Somers Road
Rugby
CV22 7DH

Notes:

Printed in UK. Subject to change
without notice.
Prices subject to VAT.