

HYDROPLATE HOT WATER SYSTEM



HYDROPLATE



This Eberspächer Hydroplate system is suitable for installation into Motorhome, Caravan, Welfare, Utility and Messing vehicle applications.

It utilises either a separate diesel fuel tank or the vehicles own diesel tank. It also requires a 12V DC power supply.

The Hydroplate system is generally used when stationary, but can be used whilst on the move.

Once installed all you need to do is switch it on and after approximately 10–15 minutes, the Hydroplate produces a constant flow of hot water at 40°C, to be used for washing and showering.

The continuity of hot water supply is dependent on the flow rate of the domestic water pump, ideally being between 6 and 11 litres per minute.

We can offer optional fan matrix units, from 2 to 3.5kW, that can be used to supply ducted hot air dependent on the specific application.

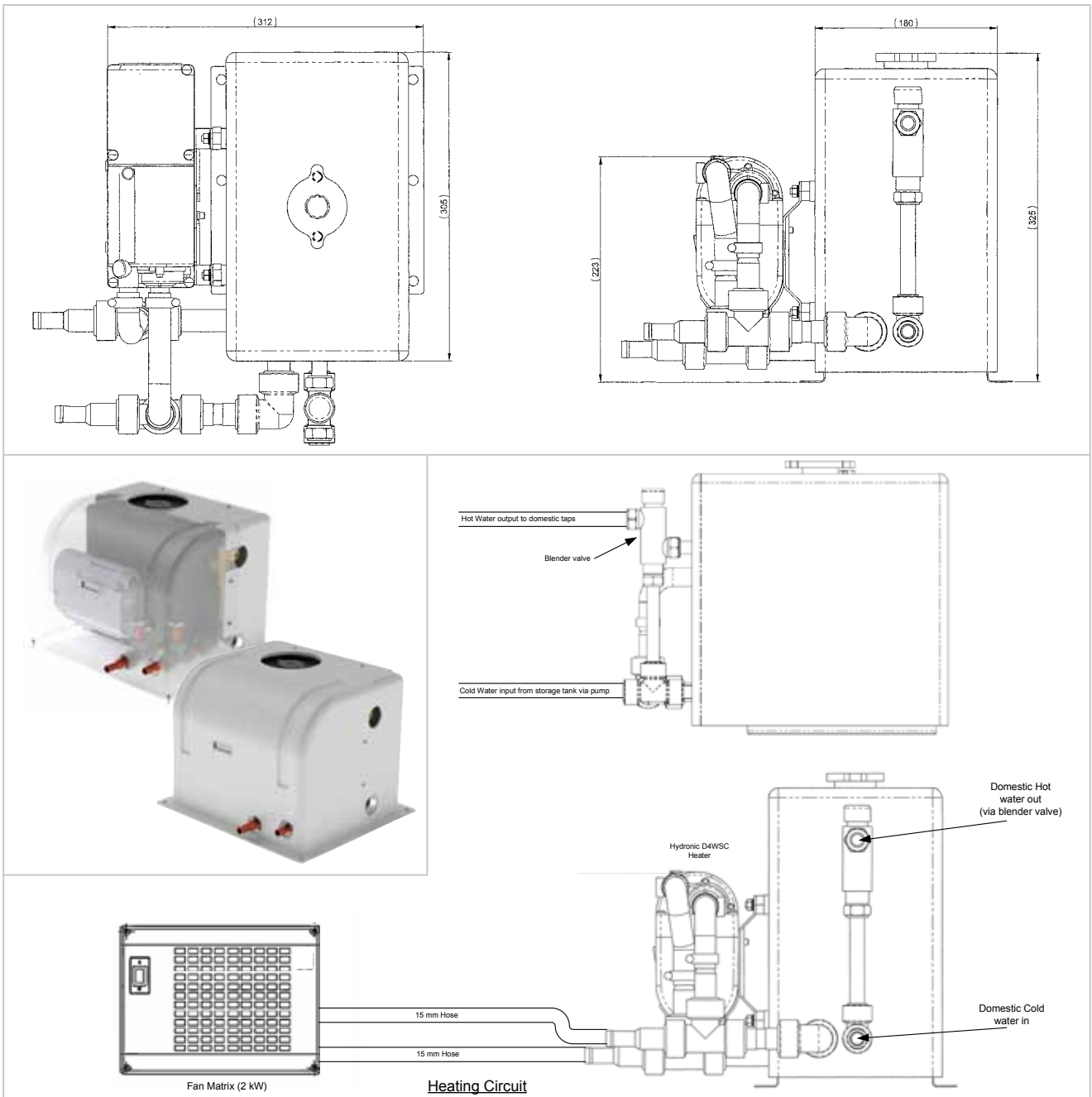
We would welcome the opportunity to discuss your specific requirements in more detail.



TECHNICAL DATA

HEATER		HYDRONIC D4WSC	
Heating Medium		Water, Cooling Fluid	
Control of the Heat Flow		Large	Small
Heat Flow (Watt)		4,300 W	2,400 W
Fuel Consumption (Litres/hour)		0.53 l/h	0.27 l/h
Mean Electrical Power (Watt)	In Operation	48 W	23 W
	At Start	120 W	
	Water Pump Only	21 W	
Rated Voltage (Volt)		12 V *	
Optimum Water Flowrate (Litres/minute)		6 – 11 l/m	

* 24 Volt available in 5 kW only.



JN887 - Issue B - 10/2014
Subject to change without notice.